



# Learn & Groove Rainbow Lights Piano™



## Parent's Guide

This guide contains important information. Please keep it for future reference.

91-003919-000 (UK)

# INTRODUCTION

Thank you for purchasing the **Learn & Groove Rainbow Lights Piano™**! Explore music, colours and counting while creating a dazzling lightshow!

Adjustable Rainbow Faceplate

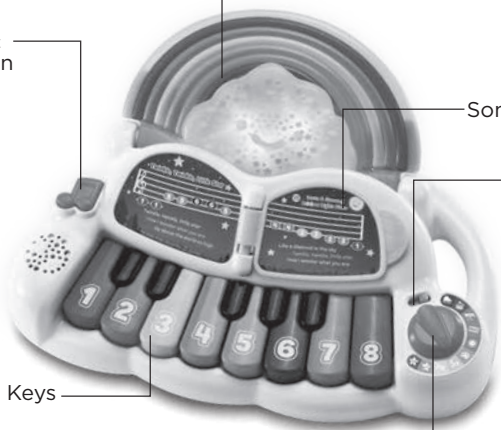
Music Button

Song Pages

On/Off/  
Volume  
Control  
Switch

Piano Keys

Sound / Game  
Selector



# INCLUDED IN THIS PACKAGE

- One **Learn & Groove Rainbow Lights Piano™**
- Parent's guide

## **WARNING:**

All packing materials such as tape, plastic sheets, packaging locks, removable tags, cable ties, cords and packaging screws are not part of this toy and should be discarded for your child's safety.

## **NOTE:**

Please keep this parent's guide as it contains important information.

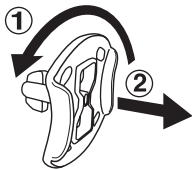


### **Note :**

Please cut and discard the cords before playing with the unit. The cords are not part of the product and should be discarded for your child's safety.

## **Unlock the packaging locks:**

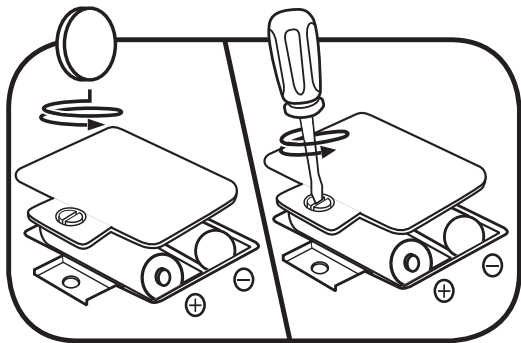
- ① Rotate the packaging lock anticlockwise for 90 degrees.
- ② Pull out the packaging lock.



# GETTING STARTED

## BATTERY REMOVAL AND INSTALLATION

1. Make sure the unit is turned **OFF**.
2. Locate the battery cover on the bottom of the unit.
3. Use a screwdriver or a coin to loosen the screw and open the battery cover.
4. Install 2 new AA (AM-3/LR6) batteries into the battery box as illustrated. (The use of new alkaline batteries is recommended for maximum performance.)
5. Replace the battery cover and tighten the screw to secure.



## BATTERY NOTICE

- Use new alkaline batteries or fully charged NI-MH (Nickel Metal-hydride) rechargeable batteries for best performance.
- Use only batteries of the same or equivalent type as recommended.
- Do not mix different types of batteries: alkaline, standard (carbon-zinc), rechargeable, or new and used batteries.
- Do not use damaged batteries.
- Insert batteries with the correct polarity (+ and -).
- Do not short-circuit the battery terminals.
- Remove exhausted batteries from the toy.
- Remove batteries during long periods of non-use.
- Do not dispose of batteries in fire.
- Do not charge non-rechargeable batteries.
- Remove rechargeable batteries from the toy before charging (if removable).
- Rechargeable batteries are only to be charged under adult supervision.

### WARNING:

Adult assembly required for battery installation.  
Keep batteries out of reach of children.

### Disposal of batteries and product



The crossed-out wheellie bin symbols on products and batteries, or on their respective packaging, indicates they must not be disposed of in domestic waste as they contain substances that can be damaging to the environment and human health.

The chemical symbols Hg, Cd or Pb, where marked, indicate that the battery contains more than the specified value of mercury (Hg), cadmium (Cd) or lead (Pb) set out in Battery Directive (2006/66/EC).



The solid bar indicates that the product was placed on the market after 13th August, 2005.

Help protect the environment by disposing of your product or batteries responsibly.

For more information, please visit:

[www.recycle-more.co.uk](http://www.recycle-more.co.uk)

[www.recyclenow.com](http://www.recyclenow.com)

# PRODUCT FEATURES

## 1. On/Off/Volume Control Switch

Slide the **On/Off/Volume Control Switch** to turn the toy on and select the volume.



## 2. Sound / Game Selector

Turn to select a piano sound or a game.



## 3. Piano Keys

Press any of the keys numbered 1 - 8 to hear fun sounds and singing.



## 4. Song Pages

Turn back and forth to hear two popular nursery rhymes.



## 5. Music Button

Press to hear different melodies.



## 6. Adjustable Rainbow Faceplate

Tilts up or down.



**NOTE:** If the faceplate becomes detached, re-attach it by pushing the spring-loaded hinge into the “T” on either side of the cloud, then gently push downwards on the opposite side.



## 7. Automatic Shut-Off

To preserve battery life, the **Learn & Groove Rainbow Lights Piano™** will automatically shut off after approximately 45 seconds without input. The unit can be turned on again by pressing the **Music Button**, turning the **Sound / Game Selector** or pressing the **Piano keys** or turning the **Song Pages**.

# ACTIVITIES

## 1. Sound / Game Selector

Select a piano sound, then press the piano keys to hear it. Select a game, listen to the questions then press the correct piano key to practise identifying colours and numbers.

• **Piano Sounds:**

1. Piano
2. Xylophone
3. Electric Piano
4. Synthesizer
5. Happy Sounds
6. Colours
7. Numbers
8. Nombres (French numbers)

• **Games:**

9. Colours Game
10. Numbers Game

## 2. Song Pages

Turn back and forth to hear two popular nursery rhymes (Twinkle Twinkle Little Star and Old MacDonald Had a Farm). Follow the numbered notes and play them in the correct order for a surprise!



### 3. Music Button

Press the music button to play one of seventeen delightful melodies.

**Melodies include:**

1. A-Tisket, A-Tasket
2. Vivaldi's Spring
3. Molodejnaya
4. William Tell Overture
5. The Wheels on the Bus
6. Ode to Joy
7. Mary Had a Little Lamb
8. Bach's Minuet in G
9. Are you Sleeping?
10. Pachelbel Canon in D
11. Hey Diddle Diddle
12. Mozart's Piano Sonata No.10
13. Row, Row, Row Your Boat
14. B-I-N-G-O
15. Eine Kleine Nachtmusik
16. Do You Know the Muffin Man?
17. Hickory Dickory Dock

## CARE & MAINTENANCE

1. Keep the unit clean by wiping it with a slightly damp cloth.
2. Keep the unit out of direct sunlight and away from any direct heat sources.
3. Remove the batteries if the unit will not be in use for an extended period of time.
4. Do not drop the unit on hard surfaces and do not expose the unit to moisture or water.

## TROUBLESHOOTING

If for some reason the program or activity stops working, please follow these steps:

1. Turn the unit **Off**.
2. Interrupt the power supply by removing the batteries.
3. Let the unit stand for a few minutes, then replace the batteries.
4. Turn the unit back **On**. The unit should now be ready to use again.
5. If the unit still does not work, install a new set of batteries.

## Environmental Phenomena

The unit may malfunction if subjected to radio-frequency interference. It should revert to normal operation when the interference stops. If not, it may become necessary to turn the power **Off** and back **On**, or remove and reinstall the batteries. In the unlikely event of an electrostatic discharge, the unit may malfunction and lose memory, requiring the user to reset the device by removing and reinstalling the batteries.

# CONSUMER SERVICES

Creating and developing **LeapFrog®** products is accompanied by a responsibility that we at **LeapFrog®** take very seriously. We make every effort to ensure the accuracy of the information, which forms the value of our products. However, errors sometimes can occur. It is important for you to know that we stand behind our products and encourage you to call our Consumer Services Department with any problems and/or suggestions that you might have. A service representative will be happy to help you.

## **UK Customers:**

Phone: 01702 200244 (from UK) or +44 1702 200244 (outside UK)

Website: [www.leapfrog.co.uk/support](http://www.leapfrog.co.uk/support)

## **Australian Customers:**

Phone: 1800 862 155

Website: [support.leapfrog.com.au](http://support.leapfrog.com.au)

## **NZ Customers:**

Phone: 0800 400 785

Website: [support.leapfrog.com.au](http://support.leapfrog.com.au)

# PRODUCT WARRANTY/ CONSUMER GUARANTEES

## **UK Customers:**

Read our complete warranty policy online at [leapfrog.com/warranty](http://leapfrog.com/warranty).

## **Australian Customers:**

VTECH ELECTRONICS (AUSTRALIA) PTY LIMITED -  
CONSUMER GUARANTEES

Under the Australian Consumer Law, a number of consumer guarantees apply to goods and services supplied by VTech Electronics (Australia) Pty Limited. Please refer to [leapfrog.com/en-au/legal/warranty](http://leapfrog.com/en-au/legal/warranty) for further information.



***Visit our website for more  
information about our products,  
downloads, resources and more.***

***leapfrog.com***

LeapFrog Enterprises, Inc.,  
A subsidiary of VTech Holdings Limited.  
TM & © 2020 LeapFrog Enterprises, Inc.  
All rights reserved.  
91-003919-000 UK