



Build-a-Waffle Learning Set™

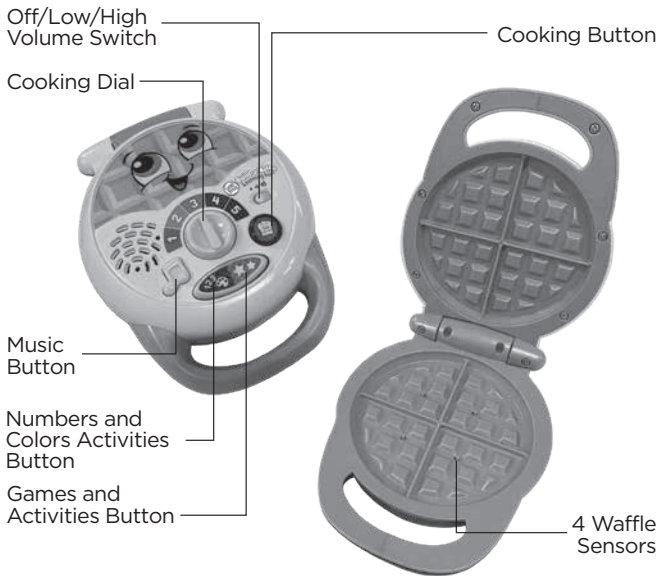


Instruction Manual

This manual contains important information. Please keep it for future reference.

INTRODUCTION

Thank you for purchasing the **Build-a-Waffle Learning Set™**. Encourage learning and pretend play with 13 play pieces and an interactive waffle set that introduces numbers, counting and colors. Guided activities build early language and listening skills. Create a delicious waffle breakfast with toppings. Serve it up on the plate, pick up the fork and knife, and dig in!

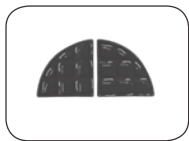


INCLUDED IN THE PACKAGE

Build-a-Waffle Learning Set™



1 waffle maker



2 double-sided
brown/tan waffle
pieces



2 double-sided
pink/tan waffle
pieces



1 syrup bottle



1 whipped cream
topping



1 butter
topping



1 strawberry
topping



1 kiwi
topping



1 blueberry
topping



1 fork



1 knife



1 plate

- Quick Start Guide

WARNING

All packing materials such as tape, plastic sheets, packaging locks, removable tags, cable ties, cords and packaging screws are not part of this toy and should be discarded for your child's safety.

NOTE

Please save this Instruction Manual as it contains important information.

ATTENTION

Pour la sécurité de votre enfant, débarrassez-vous de tous les produits d'emballage tels que rubans adhésifs, feuilles de plastique, attaches, étiquettes, cordons et vis d'emballage. Ils ne font pas partie du jouet.

NOTE

Il est conseillé de sauvegarder ce manuel d'instructions car il comporte des informations importantes.

NOTE

Do not place any object into the waffle maker other than the waffle pieces provided with the Build-a-Waffle Learning Set™.

NOTE

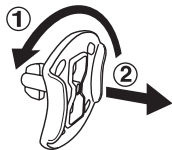
Veillez à ne pas insérer des objets qui ne sont pas déjà inclus dans cet appareil.

NOTE

If the unit powers down or if the light fades out during play, please install a new set of batteries.

Unlock the Packaging Locks

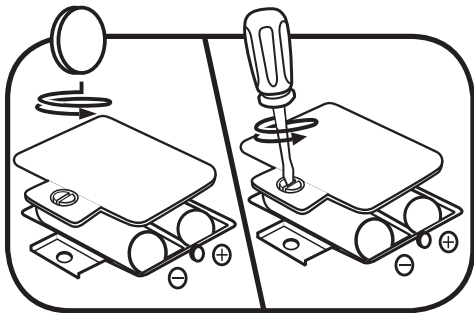
- ① Rotate the packaging locks 90 degrees counterclockwise.
- ② Pull out the packaging locks and discard.



GETTING STARTED

BATTERY REMOVAL AND INSTALLATION

1. Make sure the unit is turned **OFF**.
2. Find the battery cover located on the back of the unit, use a screwdriver or coin to loosen the screw, and then open the battery cover.
3. Remove old batteries by pulling up on one end of each battery.
4. Install 2 new AAA (AM-4/LR03) batteries following the diagram inside the battery box. (For best performance, alkaline batteries or fully charged Ni-MH rechargeable batteries are recommended).
5. Replace the battery cover and tighten the screw to secure.





WARNING:

Adult assembly required for battery installation.
Keep batteries out of reach of children.



ATTENTION :

Les piles ou accumulateurs doivent être installés par un adulte. Tenir les piles ou accumulateurs hors de portée des enfants.

IMPORTANT: BATTERY INFORMATION

- Insert batteries with the correct polarity (+ and -).
- Do not mix old and new batteries.
- Do not mix alkaline, standard (carbon-zinc) or rechargeable batteries.
- Only batteries of the same or equivalent type as recommended are to be used.
- Do not short-circuit the supply terminals.
- Remove batteries during long periods of non-use.
- Remove exhausted batteries from the toy.
- Dispose of batteries safely. Do not dispose of batteries in fire.

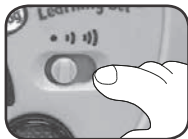
RECHARGEABLE BATTERIES

- Remove rechargeable batteries (if removable) from the toy before charging.
- Rechargeable batteries are only to be charged under adult supervision.
- Do not charge non-rechargeable batteries.

PRODUCT FEATURES

1. Off/Low/High Volume Switch

To turn the unit **On**, slide the **Off/Low/High Volume Switch** to the Low » or High » position. To turn the unit **Off**, slide the **Off/Low/High Volume Switch** to the Off ● position.



2. Cooking Dial

Turn the **Cooking Dial** to select a cooking time with the number 1 as the shortest time and the number 5 as the longest. When prompted, turn the **Cooking Dial** to one of the five colors to choose a waffle texture from ooey-gooey to crispy-crunchy.



3. Light-Up Cooking Button

After setting the **Cooking Dial**, press the **Cooking Button** to start cooking the waffles. The button will light up and flash when the waffles are ready.



4. Music Button

Press to hear four songs about cooking waffles and adding toppings, numbers one to five, and colors.



5. Numbers and Colors Activities Button

Press the **Numbers and Colors Activities Button** for a guided play activity about numbers or colors. Follow the prompts to turn the **Cooking Dial**, count along as you add each waffle piece to the waffle maker (which activates the **Waffle Sensor**) and serve up waffles with added toppings.



6. Games and Activities Button

Press the **Games and Activities Button** for activities which encourage creative play in building your own waffle recipes. Occasionally, timed stacking challenges will play.



7. Automatic Shut-Off

To preserve battery life, the **Build-a-Waffle Learning Set™** will automatically shut off after approximately 50 seconds without input. The unit can be turned on again by pressing any button, opening or closing the lid, or turning the dial.

SONG LYRICS

Song 1

Waffles and toppings,
So many delicious ways to eat.
When you're building your waffle treat!

Song 2

1, 2, 3, 4, 5,
Making waffles is so much fun.
They're gonna be so yummy.
Hooray, hooray, the waffles are done!

Song 3

Purple, blue, red, orange, green,
Making waffles is so much fun.
They're gonna be so yummy.
Hooray, hooray, the waffles are done!

Song 4

We're cooking waffles,
They'll be great.
We won't stop
'Til we put 'em on a plate.
Everything tastes so much better,
When we share our waffles together.

CARE & MAINTENANCE

1. Keep the unit clean by wiping it with a slightly damp cloth.
2. Keep the unit out of direct sunlight and away from any direct heat sources.
3. Remove the batteries if the unit will not be in use for an extended period of time.
4. Do not drop the unit on hard surfaces and do not expose the unit to moisture or water.

TROUBLESHOOTING

If for some reason the unit stops working or malfunctions, please follow these steps:

1. Turn the unit **Off**.
2. Interrupt the power supply by removing the batteries.
3. Let the unit stand for a few minutes, then replace the batteries.
4. Turn the unit **On**. The unit should now be ready to use again.
5. If the unit still does not work, install a new set of batteries.

Environmental Phenomena

The unit may malfunction if subjected to radio-frequency interference. It should revert to normal operation when the interference stops. If not, it may become necessary to turn the power **off** and back **on**, or remove and reinstall the batteries. In the unlikely event of an electrostatic discharge, the unit may malfunction and lose memory, requiring the user to reset the device by removing and reinstalling the batteries.

Impact de l'environnement

Une défaillance de fonctionnement de l'appareil peut survenir s'il est sujet à des interférences avec les fréquences radioélectriques. Le fonctionnement normal de l'appareil devrait reprendre avec l'arrêt des interférences. Si ce n'est pas le cas, il peut s'avérer nécessaire d'éteindre et rallumer l'appareil ou de retirer et réinstaller les piles. Dans l'éventualité peu probable d'une décharge électrostatique, un mauvais fonctionnement et une perte de mémoire de l'appareil peuvent se produire. L'utilisateur doit alors retirer et réinstaller les piles pour réinitialiser l'appareil.

CAUTION

Changes or modifications not expressly approved by the party responsible for compliance could void the user's authority to operate the equipment.

NOTE

This equipment has been tested and found to comply with the limits for a Class B digital device, pursuant to Part 15 of the FCC Rules. These limits are designed to provide reasonable protection against harmful interference in a residential installation. This equipment generates, uses and can radiate radio frequency energy and, if not installed and used in accordance with the instructions, may cause harmful interference to radio communications. However, there is no guarantee that interference will not occur in a particular installation. If this equipment does cause harmful interference to radio or television reception, which can be determined by turning the equipment off and on, the user is encouraged to try to correct the interference by one or more of the following measures:

- Reorient or relocate the receiving antenna.
- Increase the separation between the equipment and receiver.
- Connect the equipment into an outlet on a circuit different from that to which the receiver is connected.
- Consult the dealer or an experienced radio/TV technician for help.

IMPORTANT NOTE:

If the problem persists, please call our **Consumer Services Department** at **1-800-701-5327** in the U.S. and Canada, or email **support@leapfrog.com**. Creating and developing LeapFrog products is accompanied by a responsibility that we take very seriously. We make every effort to ensure the accuracy of the information, which forms the value of our products. However, errors sometimes can occur. It is important for you to know that we stand behind our products and encourage you to contact us with any problems and/or suggestions you might have. A service representative will be happy to help you.

Supplier's Declaration of Conformity

47 CFR § 2.1077 Compliance Information

Trade Name: LeapFrog®
Model: 6167
Product Name: Build-a-Waffle Learning Set™
Responsible Party: LeapFrog Enterprises, Inc.
Address: 2200 Powell St., Suite 500
Emeryville, CA 94608
Website: leapfrog.com

THIS DEVICE COMPLIES WITH PART 15 OF THE FCC RULES. OPERATION IS SUBJECT TO THE FOLLOWING TWO CONDITIONS: (1) THIS DEVICE MAY NOT CAUSE HARMFUL INTERFERENCE, AND (2) THIS DEVICE MUST ACCEPT ANY INTERFERENCE RECEIVED, INCLUDING INTERFERENCE THAT MAY CAUSE UNDESIRE OPERATION.



*Visit our website for more
information about our products,
downloads, resources and more.*

leapfrog.com

LeapFrog Enterprises, Inc.,
A subsidiary of VTech Holdings Limited.
TM & © 2022 LeapFrog Enterprises, Inc.
All rights reserved.

Printed in China
IM-616700-001
Version:0