



# My 1st Phonics Spin & Learn

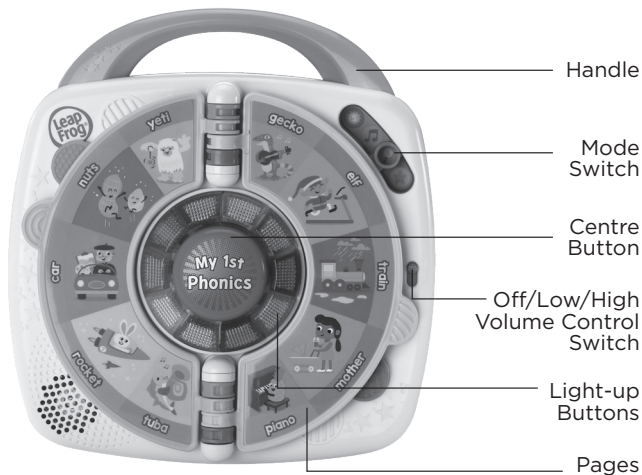


## Instruction Manual

This Manual contains important information. Please save it for future reference.

# INTRODUCTION

Thank you for purchasing the LeapFrog **My 1st Phonics Spin & Learn!** Get ready to learn about the 44 phonemes in the English language. With 4 learning modes and engaging pictures, kids will have fun playing with word sounds and getting ready for phonics and reading.



# INCLUDED IN THE PACKAGE

- My 1st Phonics Spin & Learn
- Quick Start Guide

## WARNING

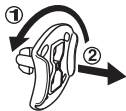
All packing materials such as tape, plastic sheets, packaging locks, removable tags, cable ties, cords and packaging screws are not part of this toy and should be discarded for your child's safety.

## NOTE

Please keep this Instruction Manual as it contains important information.

### Unlock the Packaging Locks:

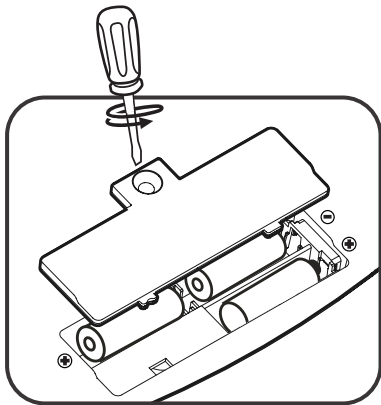
- ① Rotate the packaging locks 90 degrees anticlockwise.
- ② Pull out the packaging locks and discard.



# GETTING STARTED

## BATTERY REMOVAL AND INSTALLATION

1. Make sure the unit is turned **OFF**.
2. Locate the battery cover on the back of the unit. Use a screwdriver to loosen the screw and then open the battery cover.
3. If used batteries are present, remove these batteries from the unit by pulling up on one end of each battery.
4. Install 3 new AA (AM-3/LR6) batteries following the diagram inside the battery box. (For best performance, alkaline batteries or fully charged Ni-MH rechargeable batteries are recommended).
5. Replace the battery cover and tighten the screw to secure.



## **WARNING:**

Adult assembly required for battery installation.

Keep batteries out of reach of children.

## **IMPORTANT: BATTERY INFORMATION**

- Insert batteries with the correct polarity (+ and -).
- Do not mix old and new batteries.
- Do not mix alkaline, standard (carbon-zinc) or rechargeable batteries.
- Only batteries of the same or equivalent type as recommended are to be used.
- Do not short-circuit the supply terminals.
- Remove batteries during long periods of non-use.
- Remove exhausted batteries from the toy.
- Dispose of batteries safely. Do not dispose of batteries in fire.

## **RECHARGEABLE BATTERIES**

- Remove rechargeable batteries (if removable) from toy before charging.
- Rechargeable batteries are only to be charged under adult supervision.
- Do not charge non-rechargeable batteries.

## Disposal of batteries and product



The crossed-out wheellie bin symbols on products and batteries, or on their respective packaging, indicates they must not be disposed of in domestic waste as they contain substances that can be damaging to the environment and human health.

The chemical symbols Hg, Cd or Pb, where marked, indicate that the battery contains more than the specified value of mercury (Hg), cadmium (Cd) or lead (Pb) set out in the Batteries and Accumulators Regulation.



The solid bar indicates that the product was placed on the market after 13th August, 2005.

Please dispose of your product and batteries responsibly.

In the UK, give this toy a second life by disposing of it at a small electricals collection point\* so all of its materials can be recycled.

Learn more at:

[www.leapfrog.co.uk/recycle](http://www.leapfrog.co.uk/recycle)

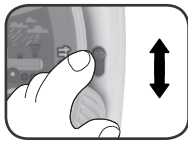
[www.leapfrog.com.au/recycle](http://www.leapfrog.com.au/recycle)

\* Visit [www.recyclenow.com](http://www.recyclenow.com) to see a list of collection points near you.

# PRODUCT FEATURES

## 1. Off/Low/High Volume Control Switch

Slide the **Off/Low/ High Volume Control Switch** to the **Low** » or **High** ») position. To turn the unit Off, slide the **Off/Low/High Volume Control Switch** to the **Off** ● position.



## 2. Mode Switch

Slide the **Mode Switch** to hear word sounds and phrases in Explore Mode, fun sound effects in Fun Sounds Mode, find what makes a sound in Detective Mode, and blend sounds to make words in Sound Blender Mode.



## 3. Centre Button

Press the **Centre Button** to learn about 44 phonemes and fun sounds while 10 light-up buttons spin in a circle.



## 4. Light-Up Buttons

Press the **Light-Up Buttons** beside each picture to hear word sounds, words, phrases, and fun sound effects.



## 5. Pages

10 colourful **Pages** teach about all 44 phonemes in the English language with fun images of animals and objects.



## 6. Automatic Shut-Off

To preserve battery life, the **My 1st Phonics Spin & Learn** will automatically shut off after approximately 50 seconds without input. The toy can be turned on again by pressing the centre button or any of the light-up buttons.



## CARE & MAINTENANCE

1. Keep the unit clean by wiping it with a slightly damp cloth.
2. Keep the unit out of direct sunlight and away from any direct heat sources.
3. Remove the batteries if the unit will not be in use for an extended period of time.
4. Do not drop the unit on hard surfaces and do not expose the unit to moisture or water.

## TROUBLESHOOTING

If for some reason the unit stops working or malfunctions, please follow these steps:

1. Turn the unit **Off**.
2. Interrupt the power supply by removing the batteries.
3. Let the unit stand for a few minutes, then replace the batteries.
4. Turn the unit **On**. The unit should now be ready to use again.
5. If the unit still does not work, install a new set of batteries.

## Environmental Phenomena

The unit may malfunction if subjected to radio-frequency interference. It should revert to normal operation when the interference stops. If not, it may become necessary to turn the power **Off** and back **On**, or remove and reinstall the batteries. In the unlikely event of an electrostatic discharge, the unit may malfunction and lose memory, requiring the user to reset the device by removing and reinstalling the batteries.

**IMPORTANT NOTE:**

If the problem persists, please call our Consumer Services Department at **01702 200244** in the U.K. or email [support@leapfrog.co.uk](mailto:support@leapfrog.co.uk). Creating and developing **LeapFrog®** products is accompanied by a responsibility that we take very seriously. We make every effort to ensure the accuracy of the information, which forms the value of our products. However, errors sometimes can occur. It is important for you to know that we stand behind our products and encourage you to contact us with any problems and/or suggestions you might have. A service representative will be happy to help you.

## CONSUMER SERVICES

Creating and developing **LeapFrog®** products is accompanied by a responsibility that we at **LeapFrog®** take very seriously. We make every effort to ensure the accuracy of the information, which forms the value of our products. However, errors sometimes can occur. It is important for you to know that we stand behind our products and encourage you to call our Consumer Services Department with any problems and/or suggestions that you might have. A service representative will be happy to help you.

**UK Customers:**

Phone: 01702 200244 (from UK) or +44 1702 200244 (outside UK)

Website: [www.leapfrog.co.uk/support](http://www.leapfrog.co.uk/support)

**Australian Customers:**

Phone: 1800 862 155

Website: [support.leapfrog.com.au](http://support.leapfrog.com.au)

**NZ Customers:**

Phone: 0800 400 785

Website: [support.leapfrog.com.au](http://support.leapfrog.com.au)

# PRODUCT WARRANTY/ CONSUMER GUARANTEES

## **UK Customers:**

Read our complete warranty policy online at [leapfrog.com/warranty](http://leapfrog.com/warranty).

## **Australian Customers:**

VTECH ELECTRONICS (AUSTRALIA) PTY LIMITED -  
CONSUMER GUARANTEES

Under the Australian Consumer Law, a number of consumer guarantees apply to goods and services supplied by VTech Electronics (Australia) Pty Limited. Please refer to [leapfrog.com/en-au/legal/warranty](http://leapfrog.com/en-au/legal/warranty) for further information.



***Visit our website for more  
information about our products,  
downloads, resources and more.***

***leapfrog.com***

LeapFrog Enterprises, Inc.,  
A subsidiary of VTech Holdings Limited.  
TM & © 2024 LeapFrog Enterprises, Inc.  
All rights reserved.

**IM-618900-001**

**Version:0**